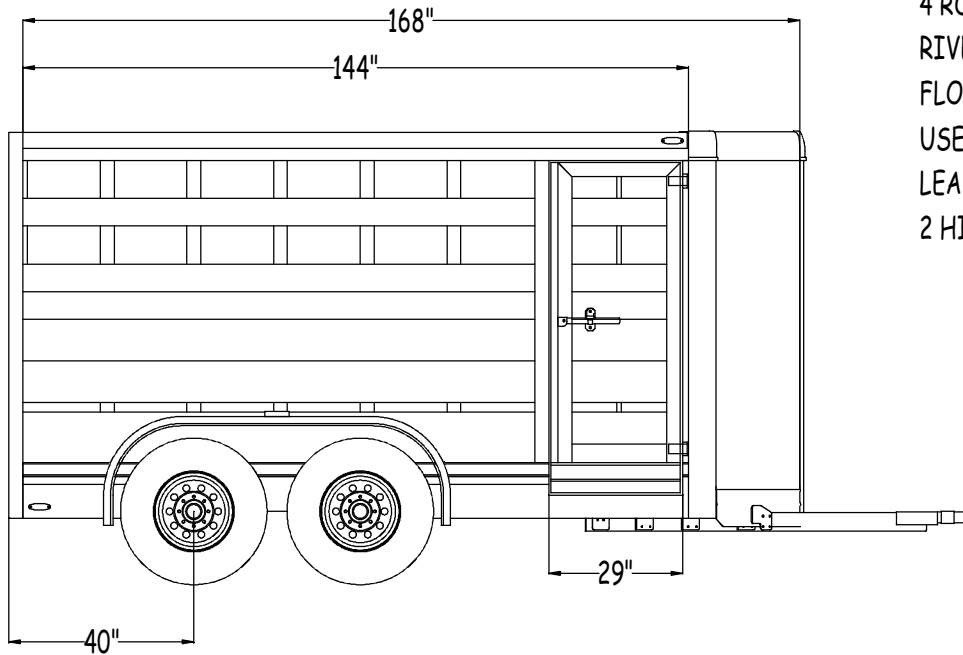


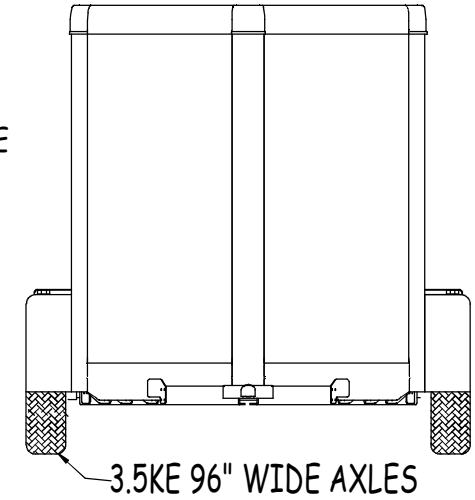
CURB SIDE



ACCESSORIES IN TRAILER

- ONLY ONE DOME LIGHT
- 4 ROOF BOWS ON 28" CENTERS
- RIVETS IN ROOF ARE ON 4" CENTERS
- FLOOR IS 1/8" FLAT ALUMINUM DIAMOND PLATE
- USE ALL 3" J-BEAMS IN FLOOR
- LEAVE 3" STEP BELOW DOOR
- 2 HINGES ON SIDE DOOR

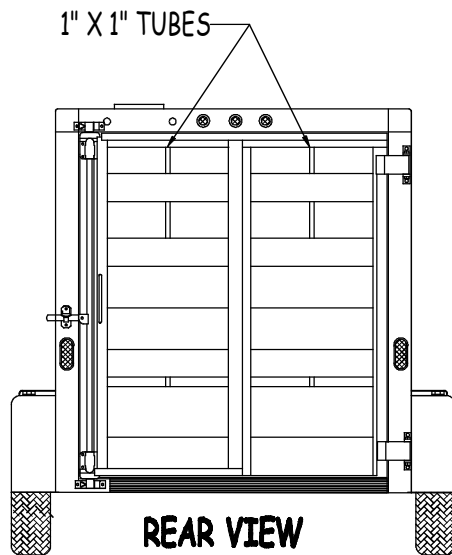
FRONT VIEW



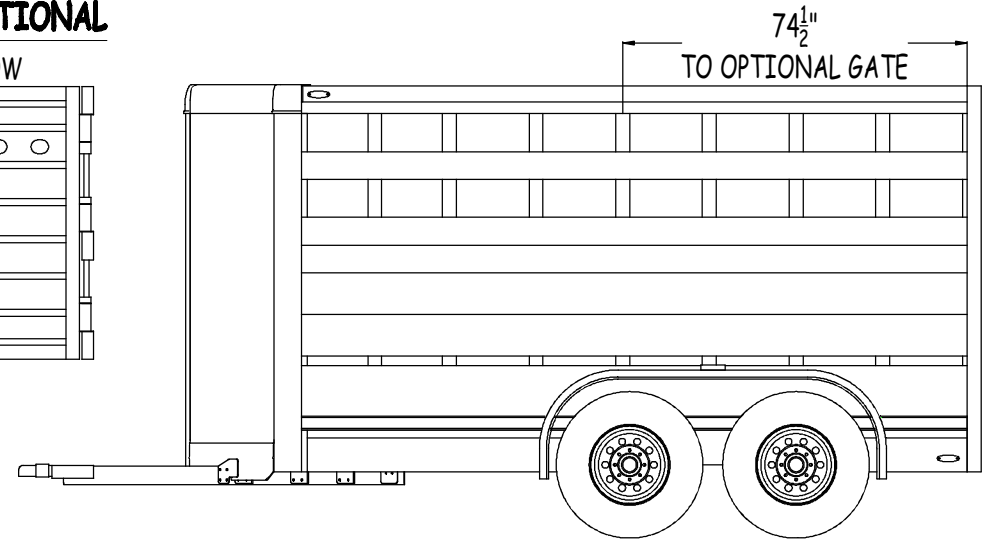
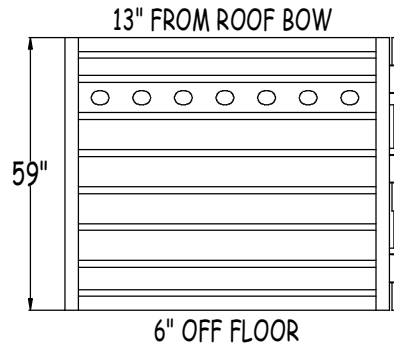
DRIVER SIDE

SLAT PATTERN

- ROOF RAIL
- 8" OPENING
- 6" CLOSURE SLAT
- 8" OPENING
- 6" CLOSURE SLAT
- 6" SLAT
- 9" SLAT
- 9" SLAT
- 2" OPENING
- 11" STARTER SLAT
- 12" BOGIELESS
- BOTTOM RAIL



CENTER GATE - OPTIONAL



REVISIONS

M. H. EBY INC.
 13' x 6'-5" x 6'-6" BUMPERHITCH
 CUSTOMER: **LS BUMPER HITCH**
 DATE: 10/21/13 SOLD BY: DRAWN BY: AKD